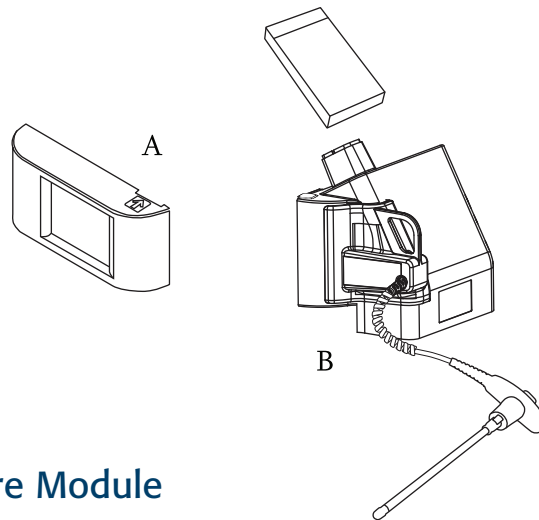


The following instructions guide you in adding the temperature module to the **ADC AdView™ Modular Diagnostic Station**. Included in the Temperature Module Kit are the temperature module, temperature probe, and a box of probe covers. The temperature module attaches to the top of the BP module.

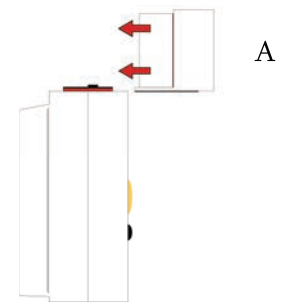
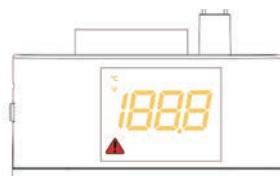
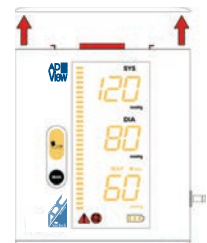
It is made up of the following two pieces:

- Part A with the display.
- Part B, the back cover, which holds the temperature probe and probe cover box.

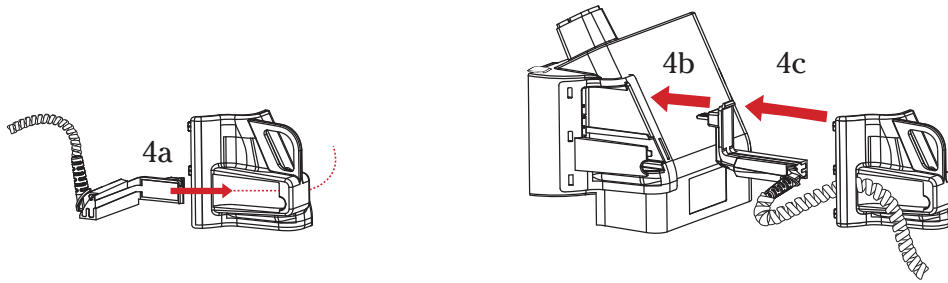


### Adding the Temperature Module

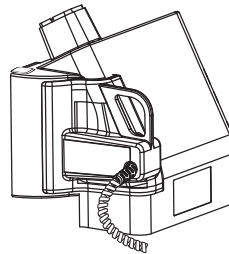
1. Using the Power button on the right side of the BP module, ensure that the **ADC AdView™ Modular Diagnostic Station** is turned off.
2. Remove the cover plate from the top of the BP module.
3. Slide part A of the temperature module along the guides on the top of the BP module from front to back until it snaps into place. All the segments of the temperature module display will light when the modules have been connected correctly.



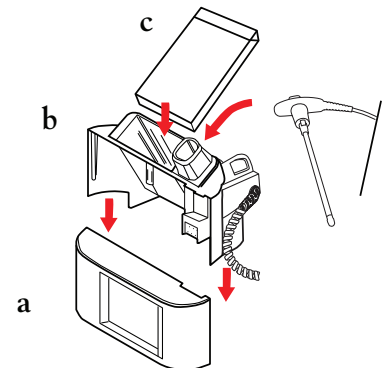
4. a. Thread probe connector through probe connector housing.
- b. Align probe connector as shown and push gently until it clicks into place.
- c. Pull excess probe cord through slot in probe connector housing and slide into place as shown.



5. Probe connector housing should be fully seated against rear cover with no visible gaps.



6. Slide part b onto part a as shown (this connects the temperature probe connector to the temperature unit connector), and insert the temperature probe into the well. Place the probe cover box (part c) into the holder.
7. Turn the device ON using the Power button on the right side of the BP module. At the end of the start-up sequence, the temperature module display will be blank except for the appropriate temperature unit icon (°F or °C). A short beep indicates that the **ADC AdView™ Modular Diagnostic Station** is ready.



If the temperature module does not appear to be working properly, cycle the power several times using the Power button on the right side of the BP module. This will “synchronize” all the modules. The modules are synchronized when, after you turn the power on, all segments on all modules display light simultaneously for 3 to 5 seconds, followed by a short beep, and all displays go to their “ready” state (*BP: battery icon and middle segments of the systolic value are lit; Temperature: appropriate temperature units icon is lit; Pulse Oximetry: the “%SpO2” icon is lit*).

Refer to the **ADC AdView™ Modular Diagnostic Station** user’s manual for operation, maintenance and safety instructions.



ADC  
55 Commerce Drive  
Hauppauge, NY 11788



Suntech Medical, Ltd.  
Oakfield Industrial Estate  
Eynsham, Oxfordshire  
OX29 4TS UK

Inspected in the U.S.A.  
Made in China  
tel: 631-273-9600  
toll free: 1-800-232-2670  
fax: 631-273-9659

[www.adctoday.com/adview](http://www.adctoday.com/adview)  
info@adctoday.com

Printed in the USA

To Register Your Product, visit us at  
[www.adctoday.com](http://www.adctoday.com)  
and follow the links

For questions, comments, or suggestions,  
call in the U.S.A. Toll Free:  
**1-800-ADC-2670**